

**L** **E** series

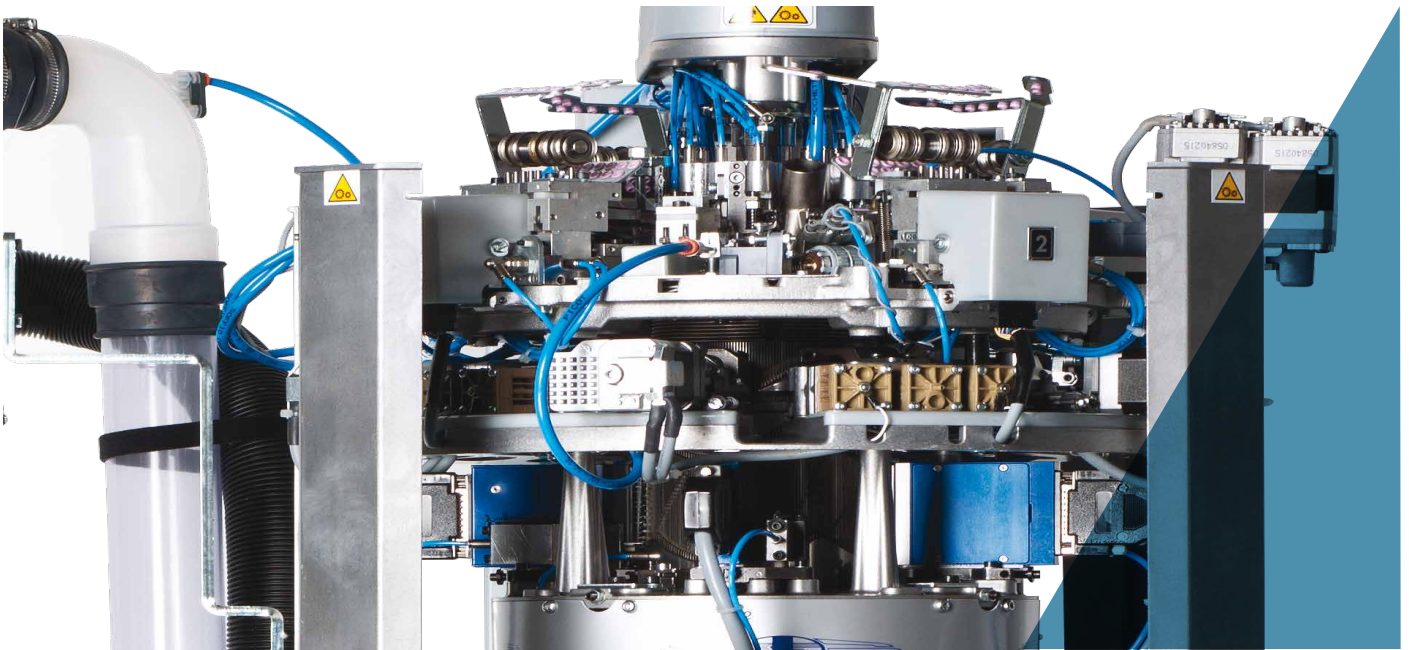
**WOMEN'S SINGLE CYLINDER**  
**LBE04JS**



# WOMEN'S SINGLE CYLINDER

LBE04JS





All images in this brochure are indicative and not binding.

## WOMEN'S SINGLE CYLINDER LBE04JS

Electropneumatic single cylinder 4 feeds machine for the production of knitted fabrics in natural fibers (cotton, wool, etc) with 1 needle-needle selection unit on each feed (4 in total) for the production of pantyhose and knee high with baguette, tucked and jacquard pattern. 5 yarn fingers with dual pneumatic control are available on each feed plus one plating motorized yarn finger for angular movement and 2 pneumatic control for height and depth. Stitch cams are controlled by stepper motors to tighten or loosen stitches gradually or partially in any part of the sock. Mobile stitch cams to produce pantyhose and knee high with 2 colors on each course, cut boss. Single or double dial jacks. Electronic device to maintain size at any temperature on the machine.

- 4 feeds single cylinder machine
- 6 pliers suction unit
- 24 yarn fingers
- Motorized sinkers cap, 2 motors
- 4 stitch cams with motorized control of heights
- 1 pneumatic selection unit on each feed

### MACHINE DIMENSIONS



Length 60 cm + yarn creel cm 145  
Depth 60 cm + yarn creel cm 180  
Height 136 cm + yarn creel 265 cm

### MACHINE WEIGHT



Machine 230 kg  
Yarn creel 48 kg

### CERTIFICATION



Green  
Label

# WOMEN'S SINGLE CYLINDER

## LBE04JS

### TECHNICAL DATA

MODEL	CYLINDER DIAMETER	GAUGE	NEEDLE THICKNESS
LBE04JS (paletta ago mm. 8,7)	4"	19	0.6 mm

Above data are indicative and not binding.

### TECHNICAL FEATURES

- 42 reels "cotton" yarn creel;
- Sock ejection hood;
- Yarn waste filter;
- Stepper motor controlled suction valve;
- Rotary or fixed antitwist device;
- 4 pull-out stitch units with motorized height control;
- 6 pliers suction unit (plates, hooks and cut-pick);
- 8 yarn sliding sensors;
- Motorized radial plating on first yarnfinger ;
- Extra latch-opener for open-work mesh;
- Mechanical laid-in elastomer device on each feed;

### OPTIONAL DEVICES

- DREAM or DREAM ONE device for stretching socks in ejection
- 2,2 Kw suction fan
- Nautilus software licence
- Dinema GRYF yarn feeder, 12 max
- Dinema Plus medical or bare elastomer yarn feeders, 4 max
- Yarn sensors, 24 max
- Motorized rising dial unit
- Knit-in course device kit
- LGL unwind yarn device kit - 8 max

### SUITABLE YARNS

The machine is designed to be used with the following yarns

- Cotton;
- Wool;
- Natural fibers yarn;
- Elastomers (bare, single or double cover);
- Filanca
- Nylon

### POSSIBLE KNITTINGS

The standard machine can perform the following knittings

- Plain knit;
- 1:1, 3:1, 5:1, 7:1, 1:3 fixed mesh, micromech and diagonal mesh;
- Several selections for vertical bands for cutting;
- Several pattern on 1:1, 2:2 etc, cut boss, bikini, pattern heel, pushup, etc.;
- Supp-hose on 2 or 4 feeds;
- Plating on plain knit on 2 or 4 feeds;

# WOMEN'S SINGLE CYLINDER

## LBE04JS

### NUMBER OF COLORS

Number of colors

- Working feeds 1-2-3-4: 1 color each course
- Working feeds 1-3 o 2-4: 2 colors each course
- Working feeds 4-1: 3 colors on feed 4 and 1 color on feed 1 each course
- Working feed 4: 4 colors on feed 4 each course

### PERFORMANCES

	4" CYLINDER DIAMETER
GAUGE	from 10 to 32
KNITTING FEATURES	400 rpm maximum in pattern
	450 rpm maximum in plain knit without pattern
MAXIMUM SPEED	450 RPM

Above data are indicative and not binding.

#### DISCLAIMER:

speed may need to be adjusted according to the inclination of the stitch cams, to the mechanical parts in use and to the yarn.  
N.B. All data in the brochure are for information only and subject to change without any prior notice from Lonati SpA.

### ALLOWED PERFORMANCES

CHART OF MAXIMUM ALLOWED SPEED IN PLAIN KNIT IN RELATION TO THE INCLINATION TO THE STITCH CAMS

Stitch cam inclination	Maximum allowed speed in plain knit
58°	450

NUMBER OF POSSIBLE COLORS ON EACH COURSE ACCORDING TO THE NUMBER OF WORKING FEEDS

Working feeds	Number of colors
1° - 2° - 3° - 4°	1 each course
1° - 3° o 2° - 4°	2 each course
4° - 1°	Feed 4 (3 colors) feed 1 (1 color)
4°	4 each course

AVAILABLE CYLINDERS

GG75-0,34	400
GG70-0,41	288 - 336
GG54-0,50	208 - 240 - 288
GG48-0,60	208 - 240 - 256
GG36-0,70	128 - 144 - 160 - 176

Above data are indicative and not binding.

#### DISCLAIMER:

All data related to maximum allowed mechanical speed may require to be reduced (to be adjusted according to functional tests on the machine) when using specific particular yarns and/or knitting features.

Lonati is recommending needles from

**GROZ-BECKERT®**

# WOMEN'S SINGLE CYLINDER

## LBE04JS

### NOISE LEVEL

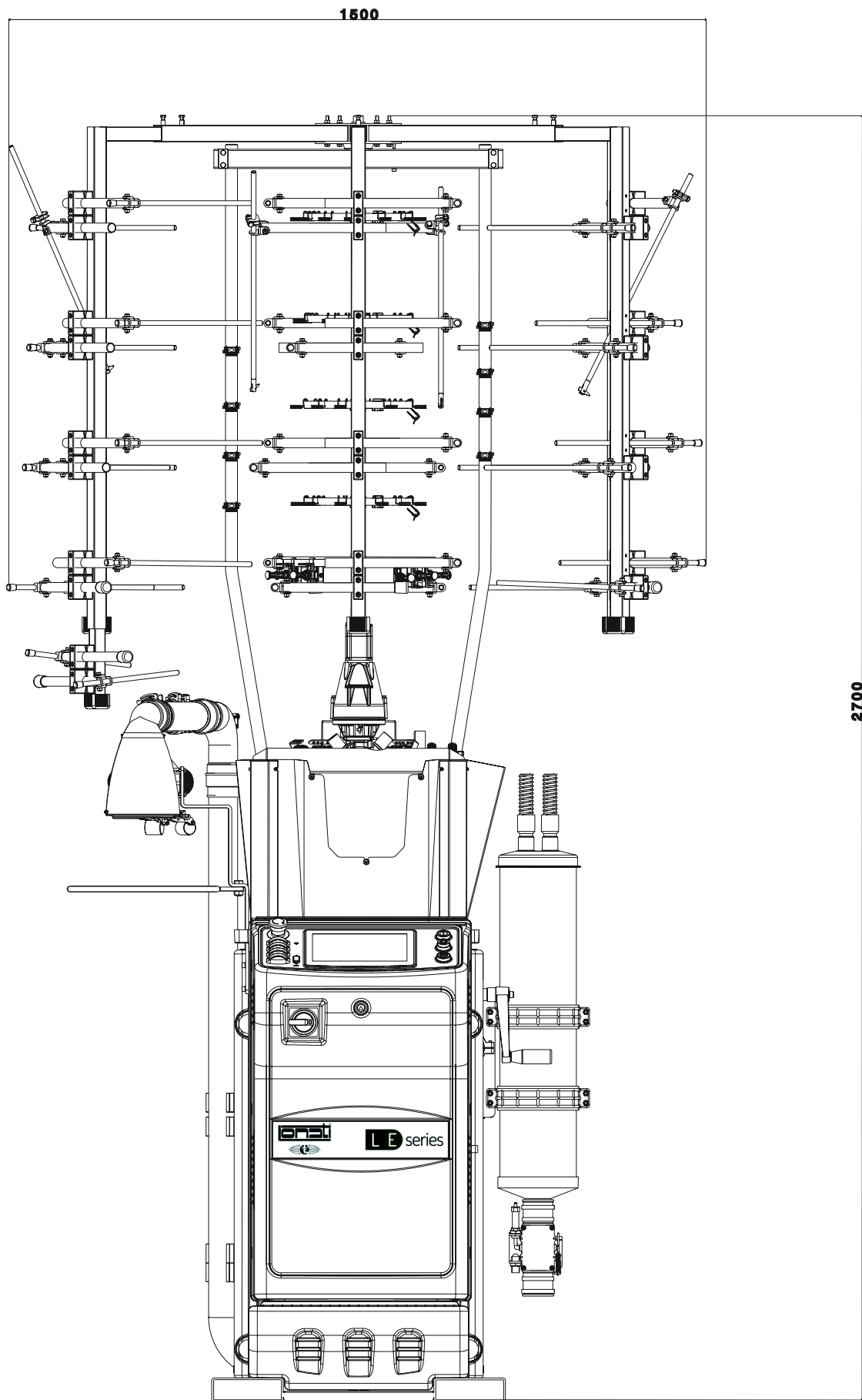
Machine average noise level, suction included LeqA = 74dBA

### LUBRICANTS

Average consumption for 500/600 dozens: 1000 gr. - Lonati recommends: Fuchs Renolin Trax 14C - Kluber Tex Sintheso M32 - Esso Eil 0287

### GRASSO

For seals, bearings etc. Lonati recommends: Damping grease Nyogel 774F



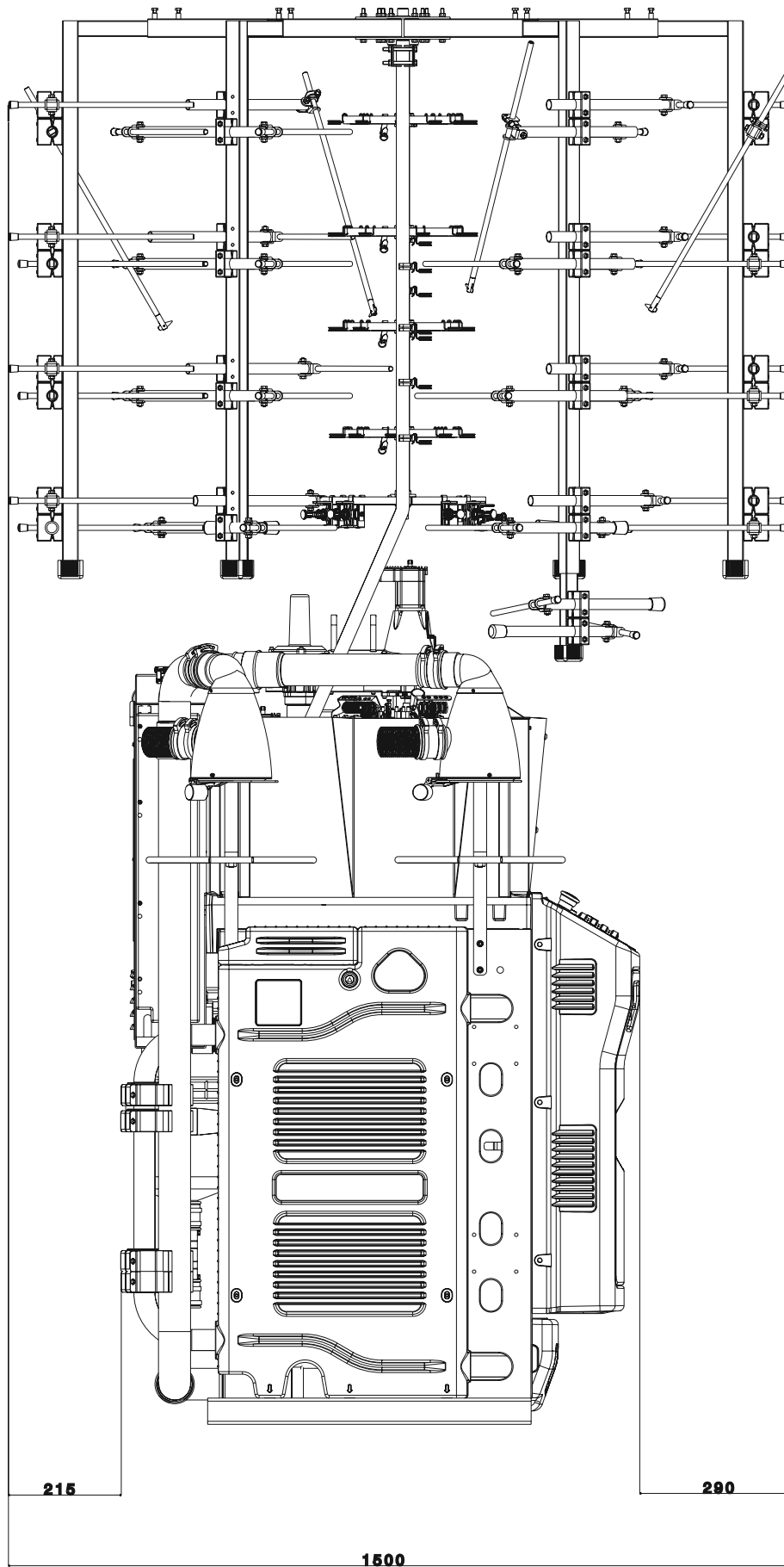
## FRONT VIEW

Machine dimensions with cotton yarn creel

### NOTE:

The picture may show fittings and equipment that are supplied on demand and not.





### SIDE VIEW

Machine dimensions with cotton yarn creel

### NOTE:

The picture may show fittings and equipment that are supplied on demand and not.







LONATI SPA  
Via Francesco Lonati, 3 | 25124 Brescia (Italy)  
Tel. +39 03023901 | Fax +39 030 2310024  
C.F.: 01469680175 | P.iva: 02096730961  
info@lonati.com - www.lonati.com